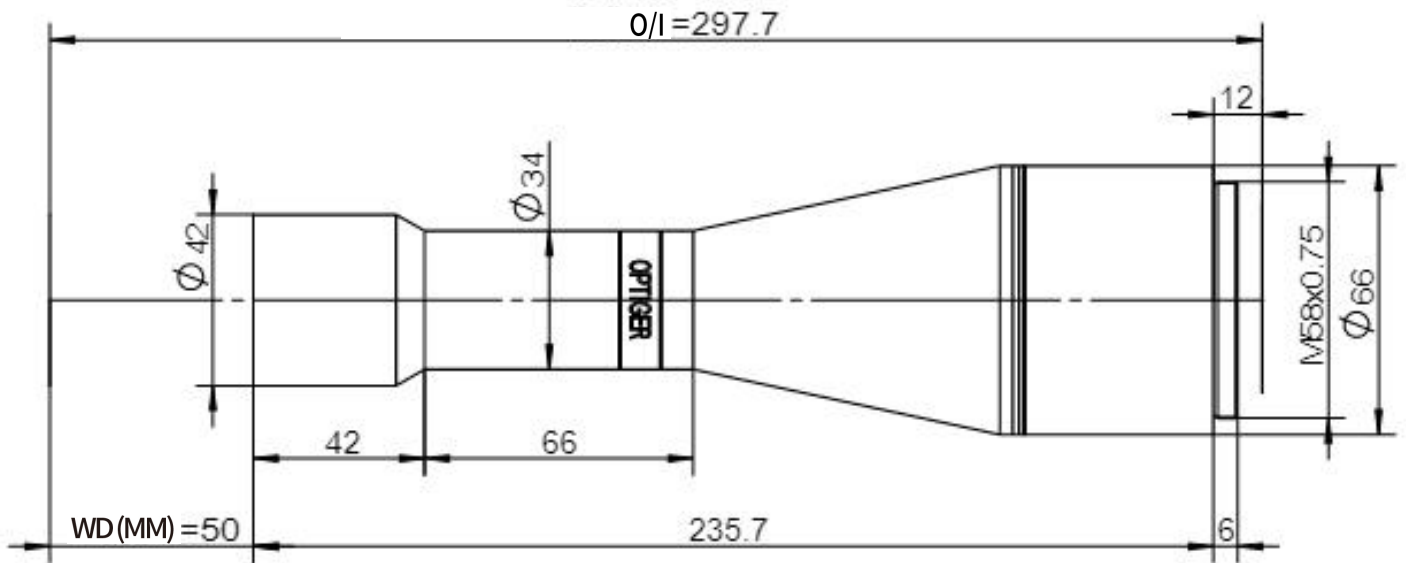


# TTL39.2-25-50F/M58



Unit: mm

## Specifications

Max. FOV(mm)	25
Sensor Size (mm)	39.2
Magnification	1.568
WD (mm)	50±5
Effective F-number	12
Object-side Resolution (um)	5.14
DOF (mm)	0.39
Measured Telecentricity	0.015°
Measured Distortion	0.015%
Mount	F/M58-Mount
Length(mm)	235.7
Diameter (mm)	66
Weight (g)	824.2

**DESIGNED IN GERMANY**  
ULTRA HIGH PERFORMANCE BI-TELECENTRIC LENSES

## Features

Available for cameras with sensor size of 35mm

## FOV (mm\*mm)

APS-C(22×15)	14.1×9.6
35mm(28×21)	17.8×13.4
Max Sensor Size(31×24.1)	19.8×15.4